

Receiver
From

 Society
 Reference
 Address
 Phone
 Fax
 E-mail

Item n° : 60213375
Customer pos. no.:
Model :
 BLUE DIVER 500 A V230/50 GAS 7m SCHUKO

Pump data

Pressure rating :

Min. fluid temperature : 0 °C

Max. fluid temperature : 35 °C

Max. Ambient temperature : 40 °C

Requested data

Flow :

Head :

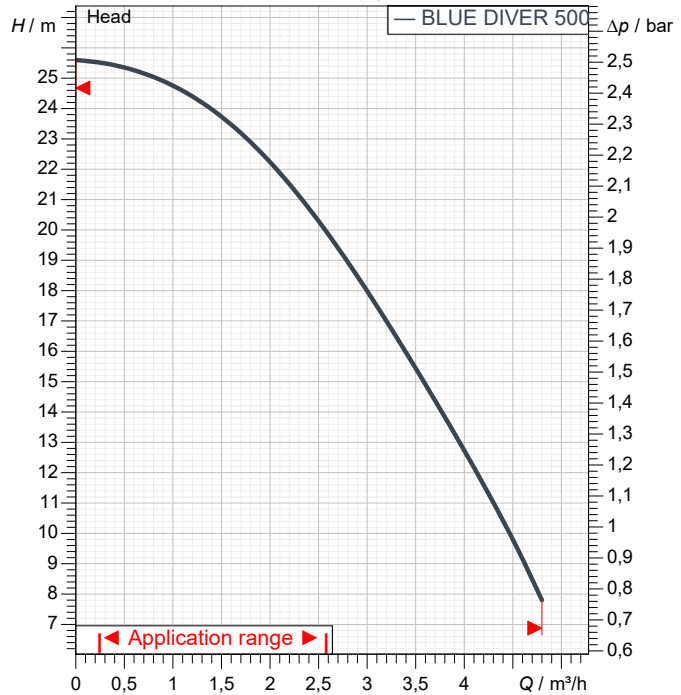
Fluid : Water

Fluid Temperature : 20 °C

Density : 998,3 kg/m³

Kinematic viscosity : 1,005 mm²/s

Vapor pressure : 0,0234 bar

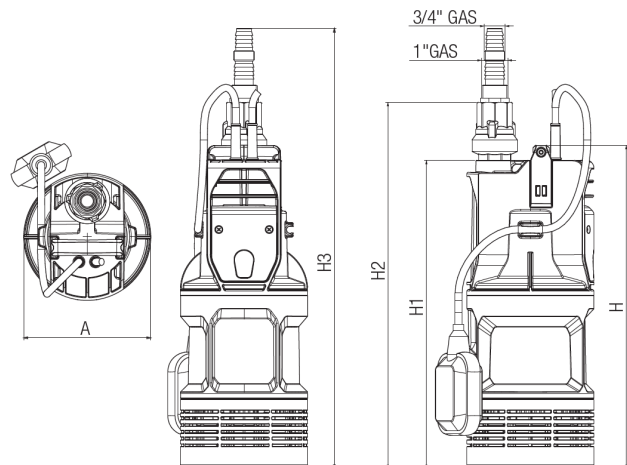
Curve tolerance according to ISO 9906

Hydraulic data (duty point)

Flow :

Head :

Materials

Pump body	Technopolymer
Impeller	Technopolymer
Diffuser	Technopolymer
O-Ring	EPDM
Base	Technopolymer
Motor shaft	Stainless Steel AISI 416
Motor top body	Stainless Steel AISI 304


Motor data
Weight : 9,1 kg

Motor brand :	.	50 Hz
Nominal power P2 :	0,34 kW	
Rated voltage :	1~ 220-240 V	
Nominal current :	2,5 A	
Number of poles :	2	
Rated speed :	2.800 1/min	
Degree of protection :	IP 68	

Dimensions in mm

A	160				
H	408				
H1	389				
H2	462				
H3	555				

Pump connection

Suction side :	/
Discharge side :	1" G / --

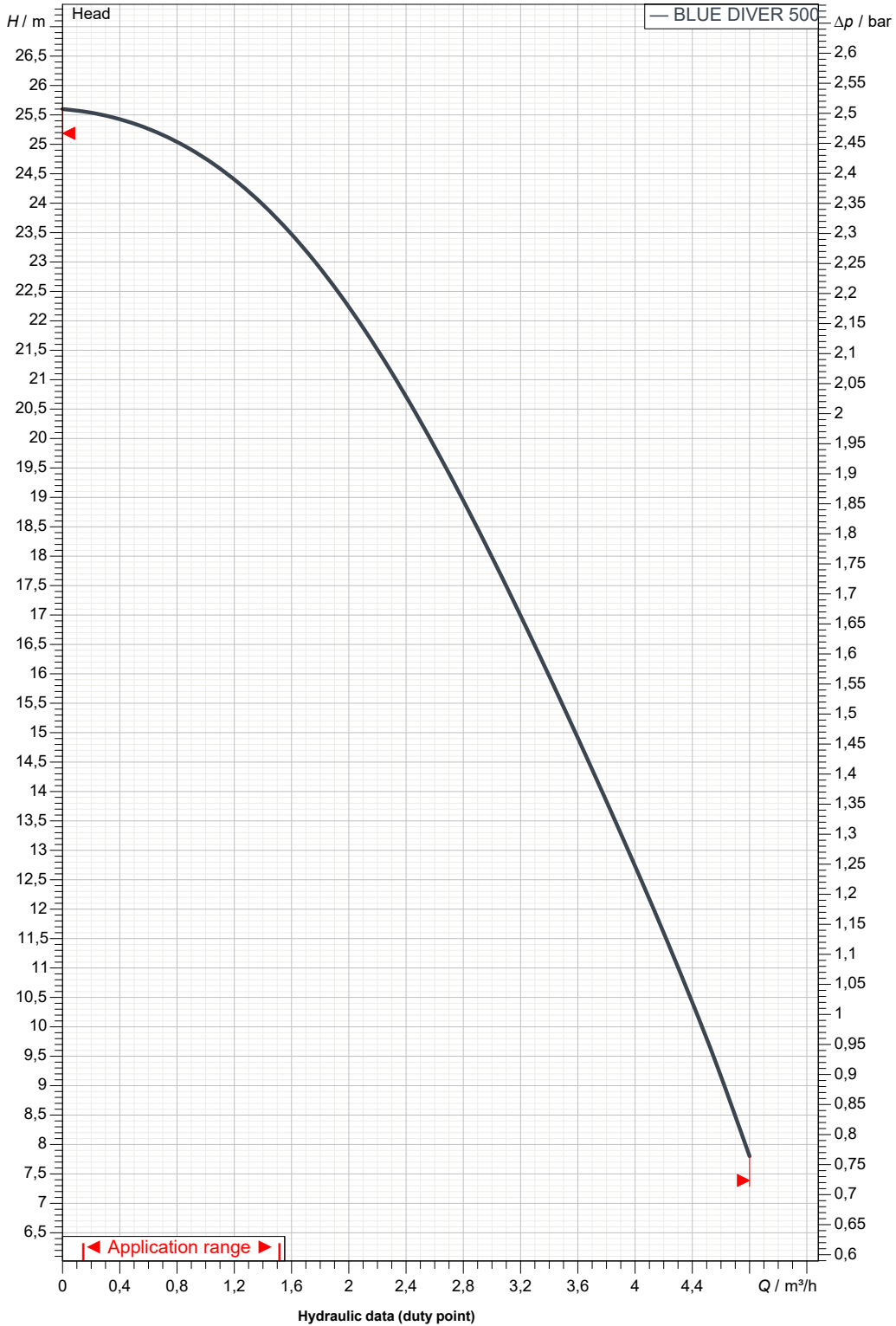
Receiver

From

 Society
 Reference
 Address
 Phone
 Fax
 E-mail

BLUE DIVER 500 A V230/50 GAS 7m SCHUKO

Curve tolerance according to ISO 9906



Suction side :

Discharge side :

Flow :

Head :

Rated speed :

 1" G
 --

2.800 1/min

MAIN_PROJECT_TITLE

BUSINESS_PROCESS_ID

OWNER_

ISSUE_DATE

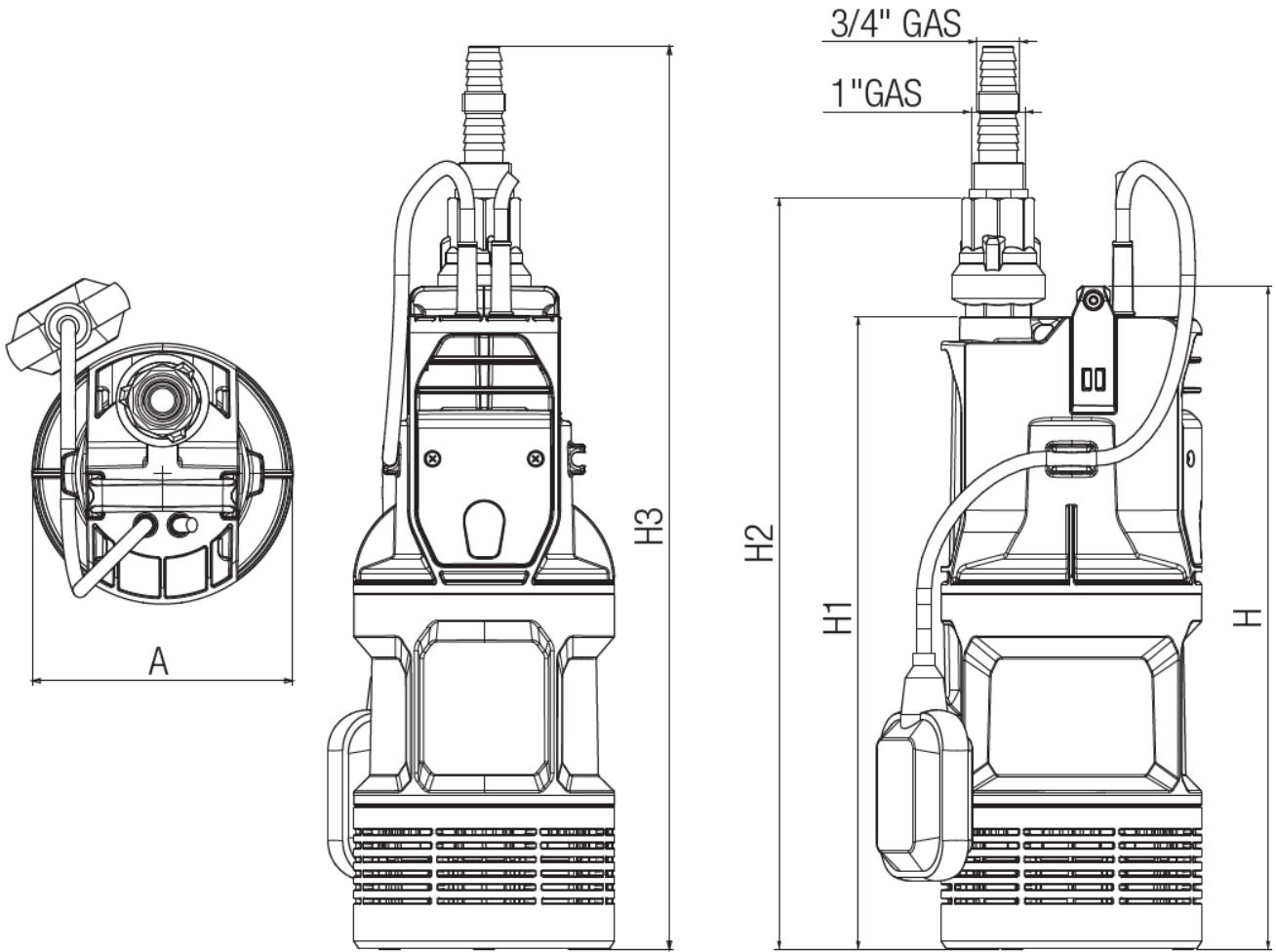
2023-02-02

Receiver

From

Society
Reference
Address
Phone
Fax
E-mail

BLUE DIVER 500 A V230/50 GAS 7m SCHUKO



Dimensions in mm			Pump connection			
1	A	160				
2	H	408				Suction
3	H1	389				
4	H2	462				
5	H3	555				
6						
7						Discharge
8						1" G
9						--
10						
11						

MAIN_PROJECT_TITLE	BUSINESS_PROCESS_I	OWNER_	ISSUE_DATE 2023-02-02
--------------------	--------------------	--------	---------------------------------

Receiver
From

 Society
 Reference
 Address
 Phone
 Fax
 E-mail

Item n° : 60213377
Customer pos. no.:
Model :
 BLUE DIVER 650 A V230/50 GAS 7m SCHUKO

Pump data

 Pressure rating :
 Min. fluid temperature : 0 °C
 Max. fluid temperature : 35 °C
 Max. Ambient temperature : 40 °C

Requested data

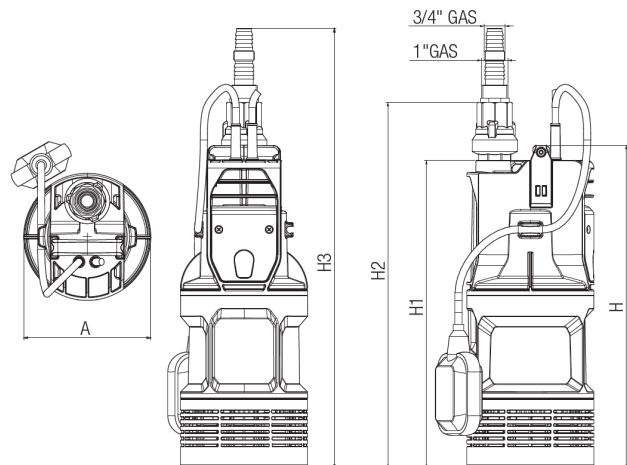
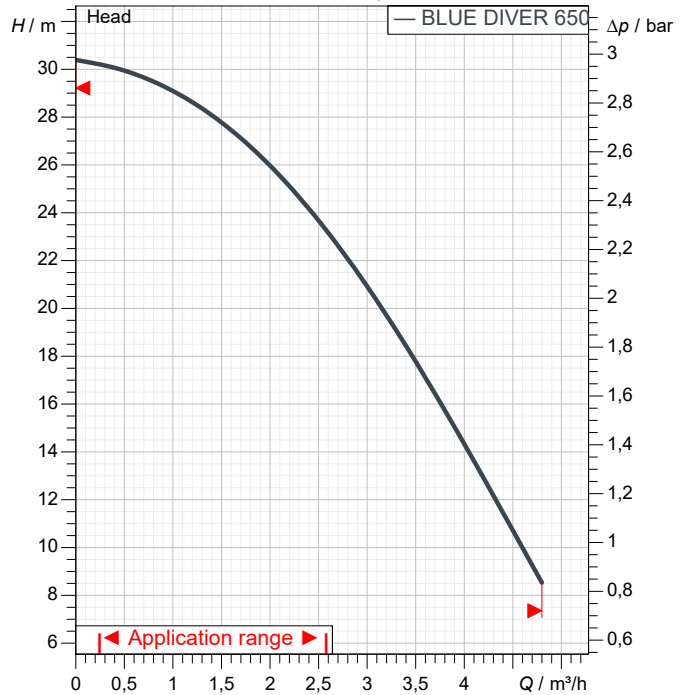
 Flow :
 Head :
 Fluid : Water
 Fluid Temperature : 20 °C
 Density : 998,3 kg/m³
 Kinematic viscosity : 1,005 mm²/s
 Vapor pressure : 0,0234 bar

Hydraulic data (duty point)

 Flow :
 Head :

Materials

Pump body	Technopolymer
Impeller	Technopolymer
Diffuser	Technopolymer
O-Ring	EPDM
Base	Technopolymer
Motor shaft	Stainless Steel AISI 416
Motor top body	Stainless Steel AISI 304

Curve tolerance according to ISO 9906

Motor data
Weight : 9,1 kg

Motor brand :	.	50 Hz
Nominal power P2 :	0,42 kW	
Rated voltage :	1~ 220-240 V	
Nominal current :	2,9 A	
Number of poles :	2	
Rated speed :	2.800 1/min	
Degree of protection :	IP 68	

Dimensions in mm

Dimension	Value (mm)				
A	160				
H	408				
H1	389				
H2	462				
H3	555				

Pump connection

 Suction side : /
 Discharge side : 1" G / --

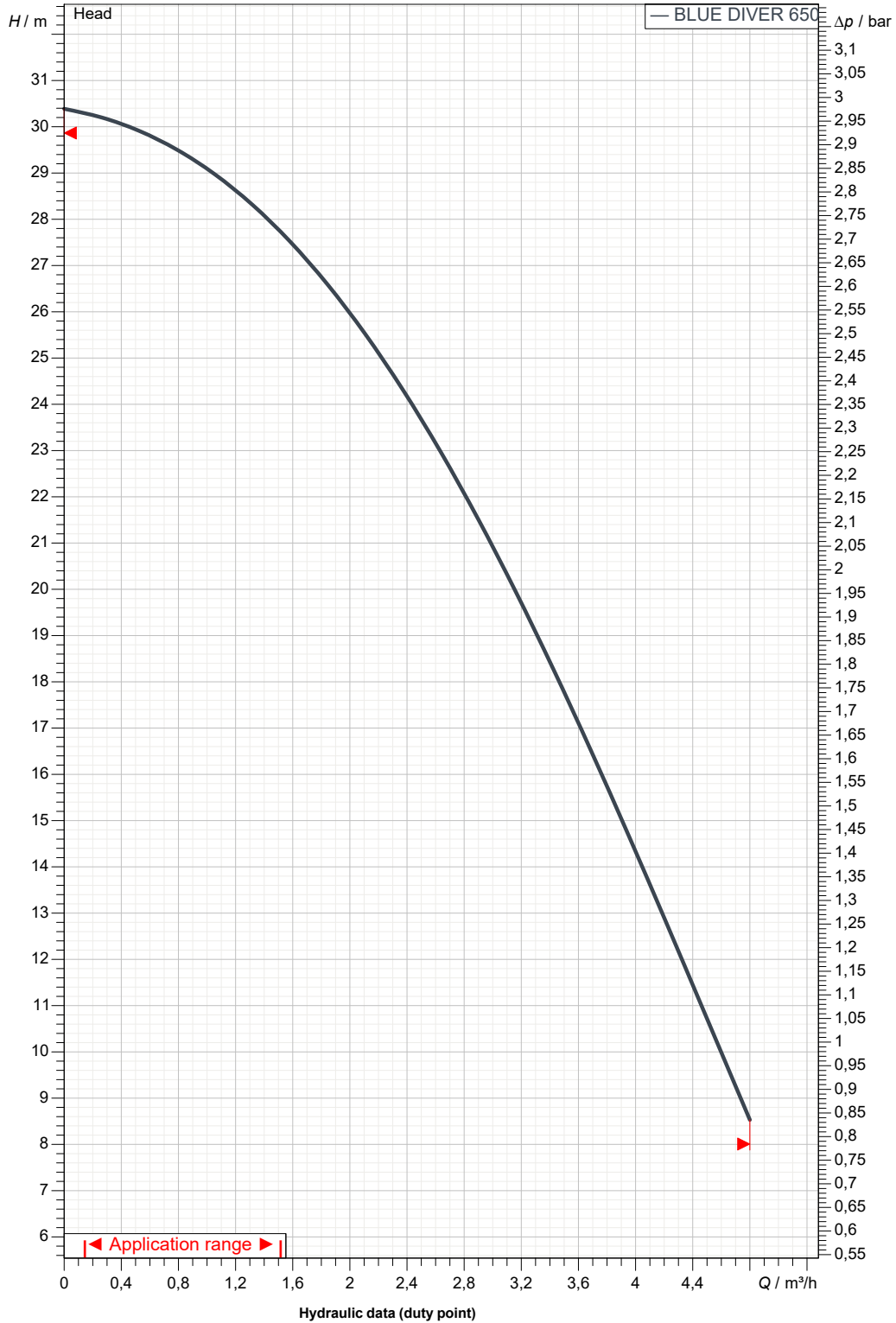
Receiver

From

Society
Reference
Address
Phone
Fax
E-mail

BLUE DIVER 650 A V230/50 GAS 7m SCHUKO

Curve tolerance according to ISO 9906



Suction side :

Discharge side :
1" G
--

Flow :

Head :

Rated speed :
2.800 1/min

MAIN_PROJECT_TITLE

BUSINESS_PROCESS_ID

OWNER_

ISSUE_DATE

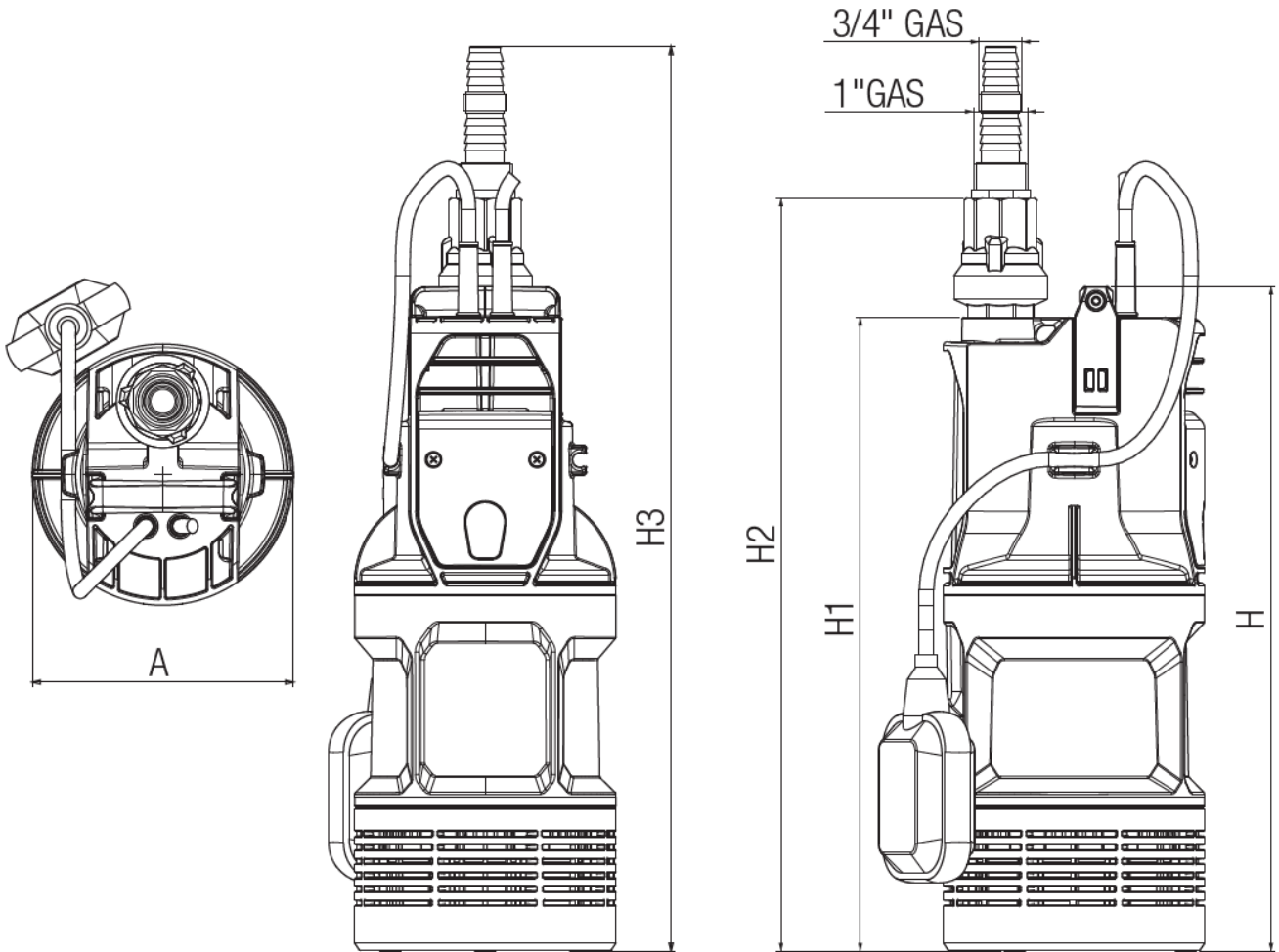
2023-02-02

Receiver

From

Society
Reference
Address
Phone
Fax
E-mail

BLUE DIVER 650 A V230/50 GAS 7m SCHUKO



Dimensions in mm			Pump connection			
1	A	160				Suction
2	H	408				
3	H1	389				
4	H2	462				Discharge
5	H3	555				1" G
6						--
7						
8						
9						
10						
11						

MAIN_PROJECT_TITLE	BUSINESS_PROCESS_I	OWNER_	ISSUE_DATE 2023-02-02
--------------------	--------------------	--------	---------------------------------

Receiver
From

 Society
 Reference
 Address
 Phone
 Fax
 E-mail

Item n° : 60209493
Customer pos. no.:
Model :
 BLUE DIVER 900 A V230/50 GAS 7m SCHUKO

Pump data

 Pressure rating :
 Min. fluid temperature : 0 °C
 Max. fluid temperature : 35 °C
 Max. Ambient temperature : 40 °C

Requested data

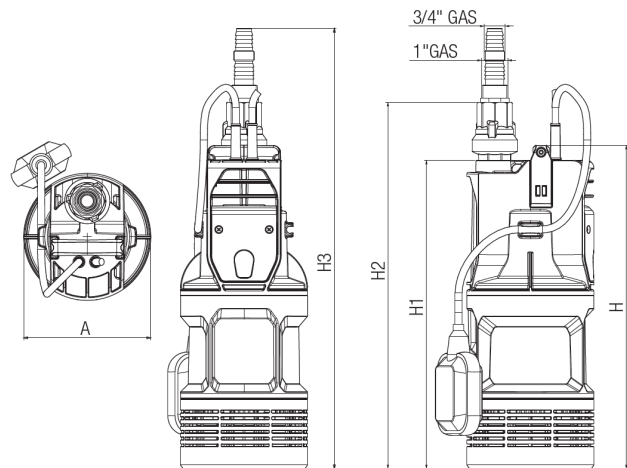
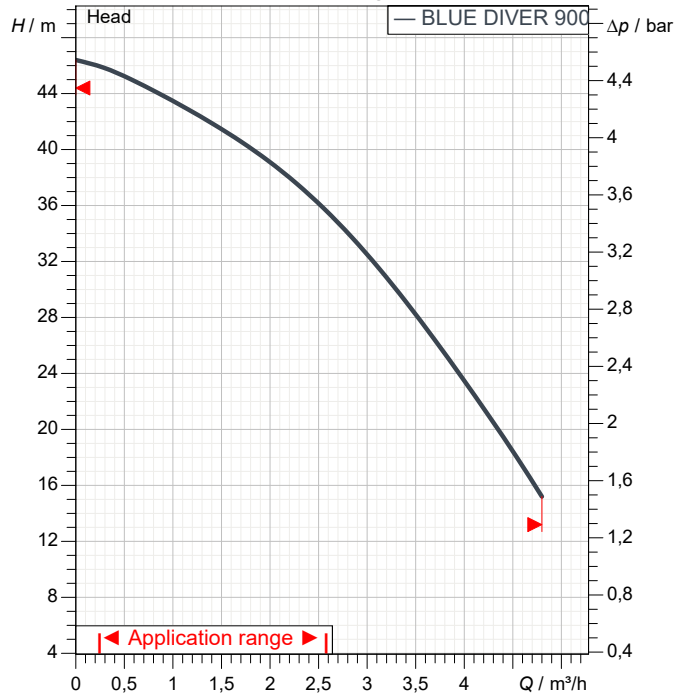
 Flow :
 Head :
 Fluid : Water
 Fluid Temperature : 20 °C
 Density : 998,3 kg/m³
 Kinematic viscosity : 1,005 mm²/s
 Vapor pressure : 0,0234 bar

Hydraulic data (duty point)

 Flow :
 Head :

Materials

Pump body	Technopolymer
Impeller	Technopolymer
Diffuser	Technopolymer
O-Ring	EPDM
Base	Technopolymer
Motor shaft	Stainless Steel AISI 416
Motor top body	Stainless Steel AISI 304

Curve tolerance according to ISO 9906

Motor data
Weight : 10,6 kg

Motor brand :	.	
Nominal power P2 :	0,56 kW	
Rated voltage :	1~ 220-240 V	50 Hz
Nominal current :	4,2 A	
Number of poles :	2	
Rated speed :	2.800 1/min	
Degree of protection :	IP 68	

Dimensions in mm

Dimension	Value (mm)				
A	160				
H	455				
H1	436				
H2	509				
H3	602				

Pump connection

 Suction side : /
 Discharge side : 1" G / --

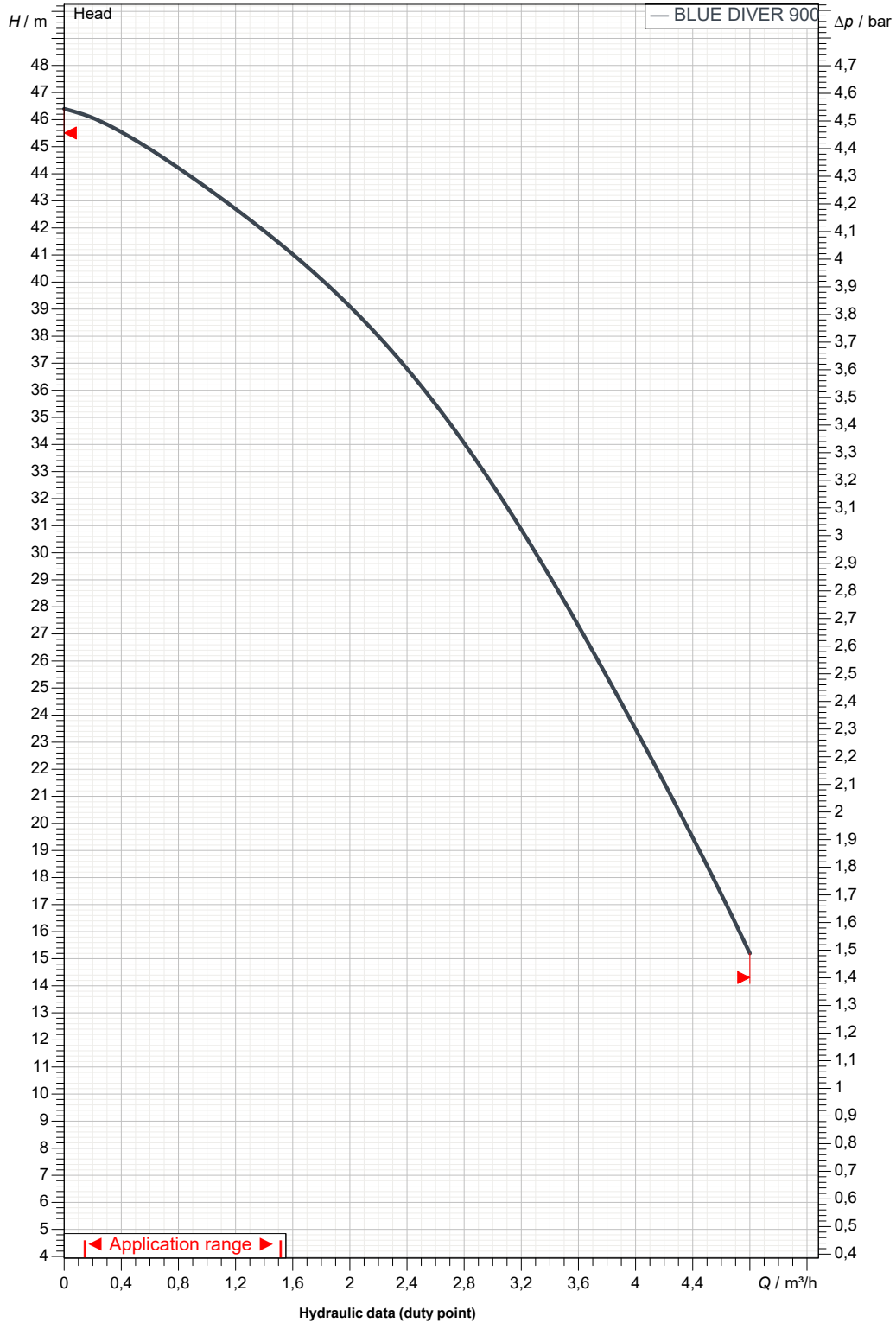
Receiver

From

Society
Reference
Address
Phone
Fax
E-mail

BLUE DIVER 900 A V230/50 GAS 7m SCHUKO

Curve tolerance according to ISO 9906



Suction side :

Discharge side :
1" G
--

Flow :

Head :

Rated speed :
2.800 1/min

MAIN_PROJECT_TITLE

BUSINESS_PROCESS_IT
Progetto senza titolo 2023-02-02 09:09:08.32!

OWNER_

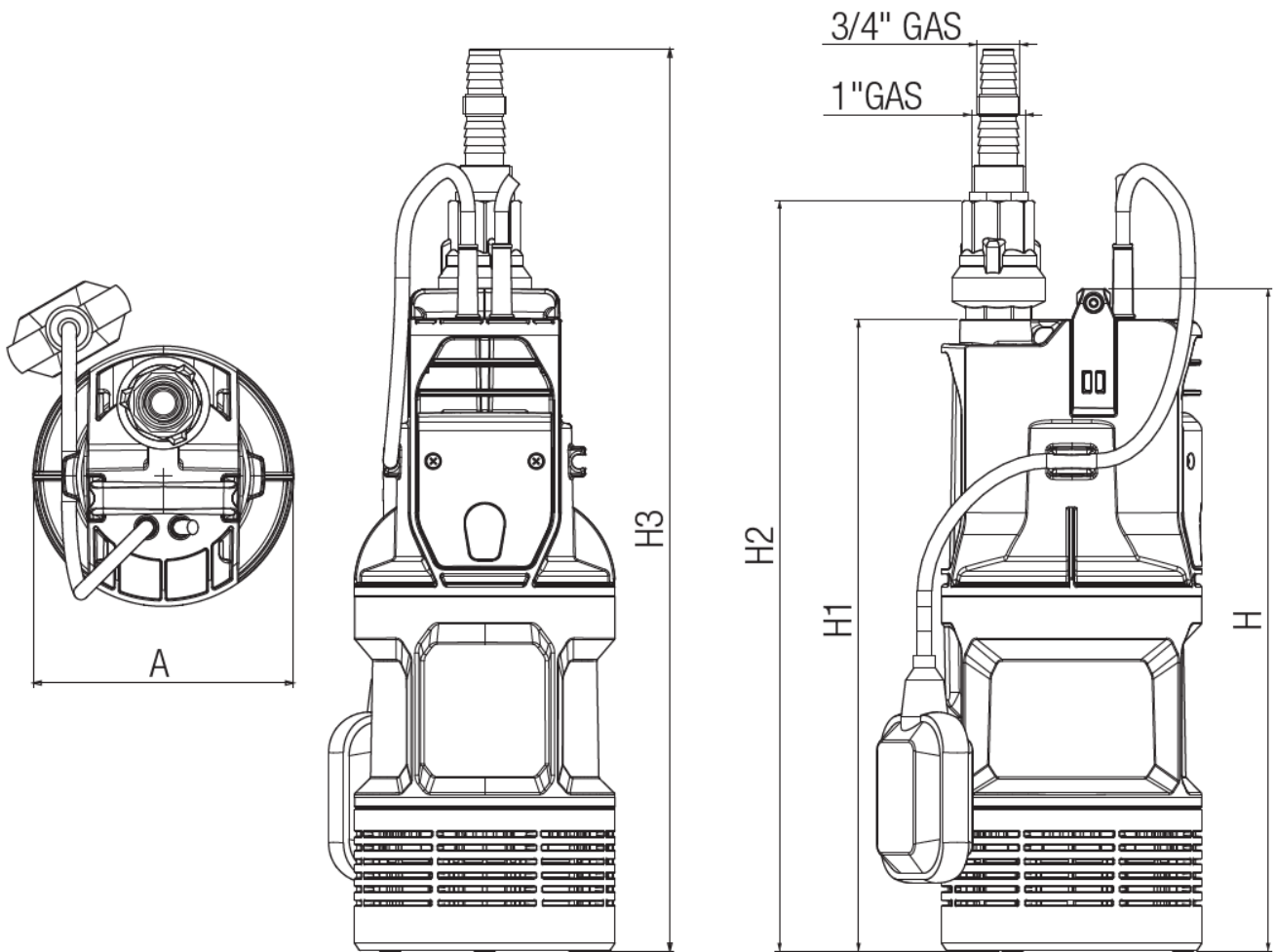
ISSUE_DATE
2023-02-02

Receiver

From

Society
Reference
Address
Phone
Fax
E-mail

BLUE DIVER 900 A V230/50 GAS 7m SCHUKO



Dimensions in mm			Pump connection	
1	A	160		
2	H	455		Suction
3	H1	436		
4	H2	509		
5	H3	602		
6				
7				Discharge
8				1" G
9				--
10				
11				

MAIN_PROJECT_TITLE	BUSINESS_PROCESS_I	OWNER_	ISSUE_DATE
	Progetto senza titolo 2023-02-02 09:09:08.32!		2023-02-02